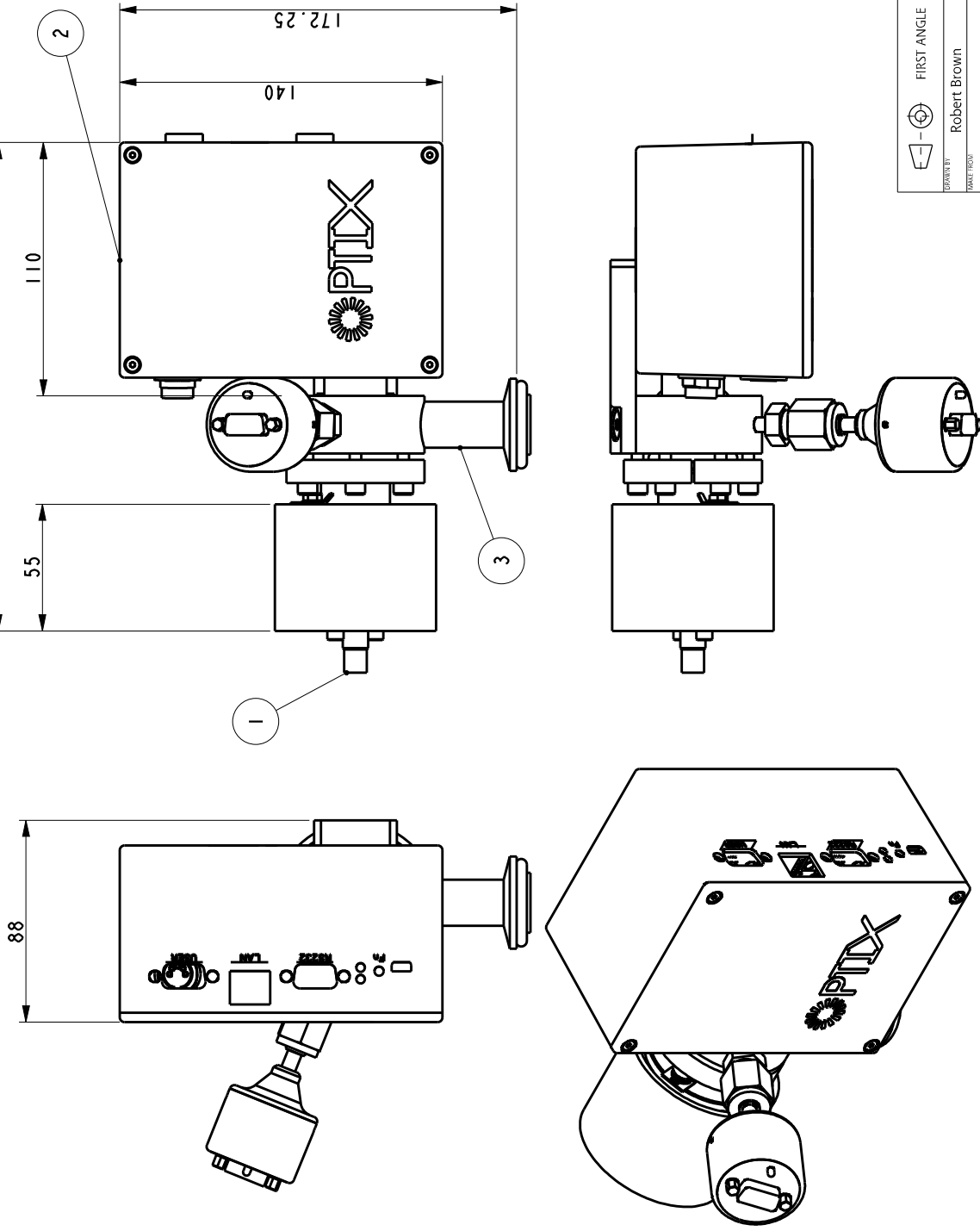


ITEM	DRAWING	DESCRIPTION	TYPE	SUPPLIER	QTY
1	OPX-CC	Plasma Generator	ASSEMBLY	GencoCo	1
2	OPX-S	OPTIX Sensor Head	ASSEMBLY	GencoCo	1
3	OPX-T_PG	OPTIX Tee assembly with Pressure	ASSEMBLY	GencoCo	1



OPTIX

OPTIX Assembly

DRAWING NUMBER

ORIGINAL SCALE

1:2

DATE

21-01-21

ORIGINAL SHEET SIZE

A3

DESCRIPTION

OPTIX Assembly

ANGLE TOLERANCES

$\pm \phi 30^\circ$

INITIAL STATE OF SURFACE MUST BE STATED, UNLESS OTHERWISE STATED.

ALL DIMENSIONS EXPRESSED IN MILLIMETERS, UNLESS OTHERWISE STATED.

DO NOT SCALE

SHEET 1 OF 1

REVISION:

A

FIRST ANGLE

Robert Brown

DRAWN BY

MARK FROM

Various

TREATMENT/FINISH/STITCH

GencoCo

COPYRIGHT

4 DE PERKINS ROAD, HUNTSLEY, LEICESTERSHIRE, LE12 4BB, UK

TEL: 01530 846546 FAX: 01530 846548

WWW.GENCO.CO.UK

GENCOA LTD

www.gencoa.com

PERMITTED GENERAL TOLERANCES UNLESS OTHERWISE STATED;
FABRICATIONS ± 1

0. \pm 0.2

.0 \pm 0.1

.00 \pm 0.05

.000 \pm 0.005

CHECK DATE

06-06-19

THA

DATE

06-06-19

THA

CHECKED BY

THA

THA

THA

THA

THA

LEGAL APPROVED BY

THA

THA

THA

THA

THA

APPROVAL DATE

06-06-19

THA

THA

THA

THA

ECO REF

~

THA

THA

THA

THA

FOR ISSUE

RBR

THA

THA

THA

THA

ISSUE

AUTHOR

DETAIL OF CHANGE

THA

THA

THA